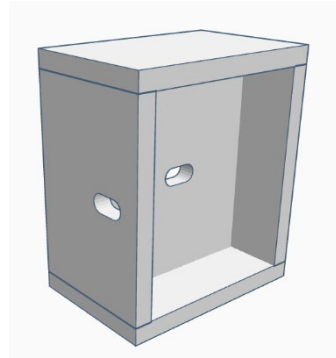


EMC EPS 70cm Support

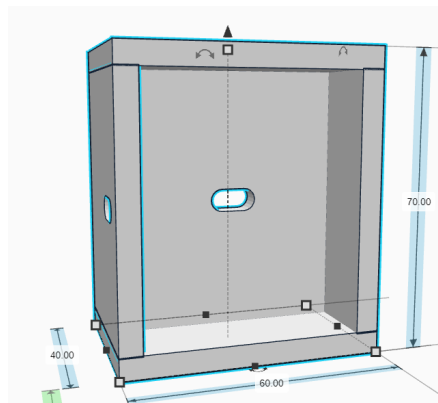
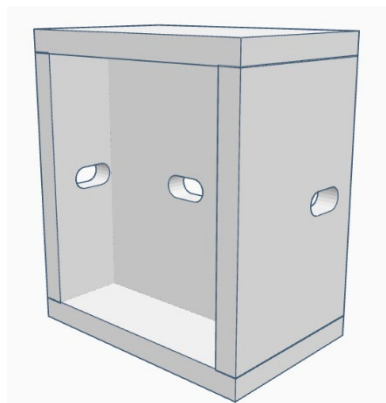


The original **EMC EPS 70cm Support** is white Expanded Polystyrene. They come in dimensional metric sizes of 40 x 60 x 70 cm. Keep your test setup looking professional with these lightweight and soft EUT supports. Ideal for use in EMC testing for EUT and cable supports. Since the **EMC EPS 70cm Support** is made from a denser EPS rating, it is crush resistance and able to withstand heavy weight loads without deforming.

Use **EMC EPS 70cm Support** for IEC, ISO, CISPR, MIL-STD, DO160 testing. It has stable dielectric properties better than wood, not retaining moisture and giving better results for testing over time. If you have requirements for a hundred lbs/kgs heavy loads, please see our line of EMC PLA Block Kits.

Specifications:

Material: Expanded Polystyrene (EPS)
Size: 40x60x70cm ±2%
Permittivity: 1.02-1.04 of EPS
Minimum Density: 3.00 lb/ft³ (48 kg/m³)
Compressive Strength: 60.0 psi (414 kPa)



Stack for EUT supports or use for cable supports for each different requirement

Options: Coated with a durable paint coating for better durability
 Vinyl sticker on top with your Company Logo and 1cm markings

Support requirements for basic standards:

Standard	IEC 61000-4-4	IEC 61000-4-6	IEC 61000-4-18	ISO/CISPR 25	MIL-STD-461	DO160
EUT Support	10cm	10cm	10cm	NA	NA	NA
Cable Support	10cm	>3cm	10cm	5cm	5cm	5cm

The standards allow for a distance measurement tolerance of 10% to 5%.

***EMC EPS 1m bars, tables, 70cm blocks, and custom sizes are also available**

Absolute EMC Llc.

14126 Wood Rock Way, Centreville VA 20121 | absolute-emc.com | (703) 774-7505 | info@absolute-emc.com
 aemc eps 70cm support 04-06-2022.docx